



## User manual

version 1.0

### AEDI RECESSED 1



#### 1. ATTENTION

- **Consider the respective national norms during the installation!**
- Do not install the fixture near high inflammable liquids or materials.
- Do not allow anything to rest on the fixture.
- Do not install the fixture near the naked flames.
- Do not install the fixture in dirty or dusty location.
- Do not looking directly into the LED light beam at close range.
- Turn off the power prior to light fixture installation!
- The light fixture may be installed only by a qualified person!
- The light fixture must be wired according to respective electrical standards.
- The manufacturer shall not be liable for any modifications of the product of incorrect installation of the product.

#### 2. ABOUT THE PRODUCT

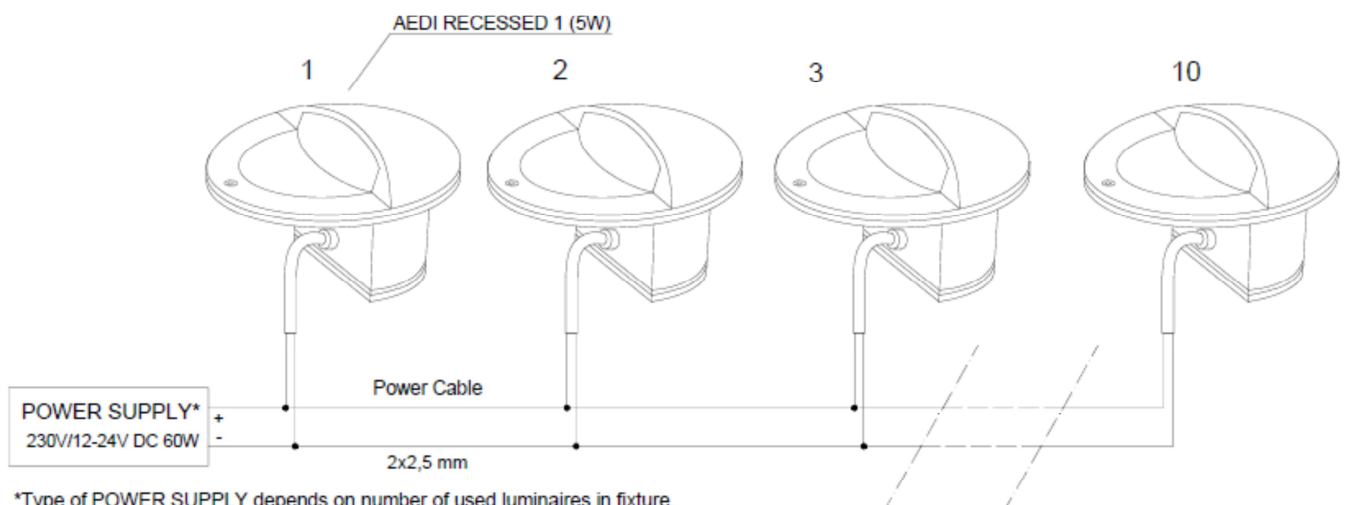
The stylishly modern and unassuming exterior of AEDI RECESSED houses state-of-the-art White technology and made using highest quality materials and construction methods. Bringing the flexibility to outdoor application, this powerful lighting fixture is ideally suited to use in landscape and building illumination and IP65 ensures safe operation in even the most demanding areas.

### 3. TECHNICAL SPECIFICATIONS

ITEM	AEDI RECESSED 1
<b>Mounting:</b>	Recessed
<b>Optical systems:</b>	None
<b>LED Device:</b>	OSRAM LEDs
<b>LED color variants:</b>	3000K / 4000K / 5700K
<b>Lumen Output:</b>	Up to 60lm
<b>Input Voltage:</b>	12-24 V DC
<b>Power cable connection:</b>	Outdoor cable H05RR-F 2 x 1,5mm (L=0,5m)
<b>Power Consumption:</b>	Max. 5W
<b>Service lifetime:</b>	70,000 hrs. / L70 / @ 25°C
<b>Operating ambient temp.:</b>	-20°C/+40°C
<b>Materials:</b>	Housing: die cast aluminium Cover: Plastic
<b>IP Rating:</b>	IP 65
<b>Dimension:</b>	130 x 90 x 125 mm
<b>Weight:</b>	0,8 kg
<b>Accessories on request:</b>	Power supply 230V AC / 12-24 V DC

### 4. INSTALLATION – CONNECTION

#### AEDI RECESSED 1:

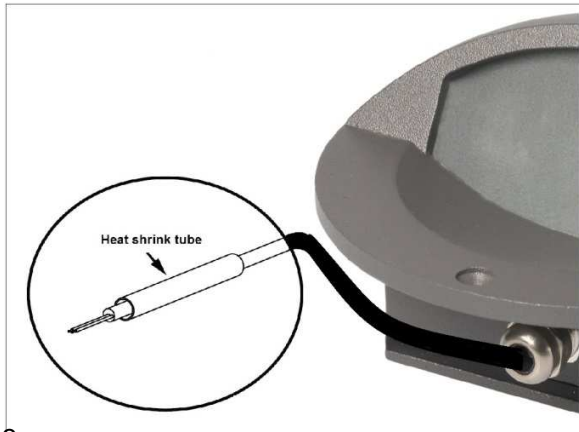




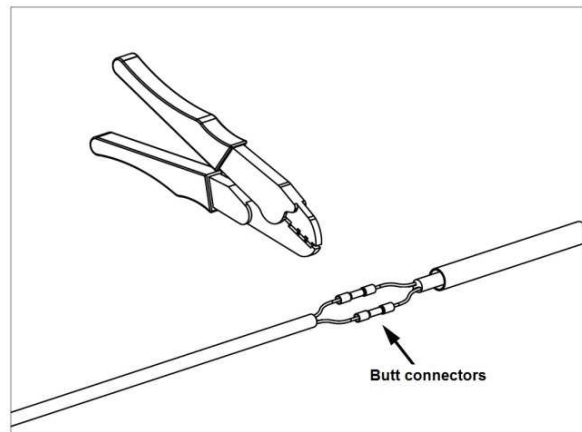
The maximum length of the cable (2 x core 2,5mm) between POWER SUPPLY and the last luminaire cannot exceed more than 80 m.

**The joining procedure:**

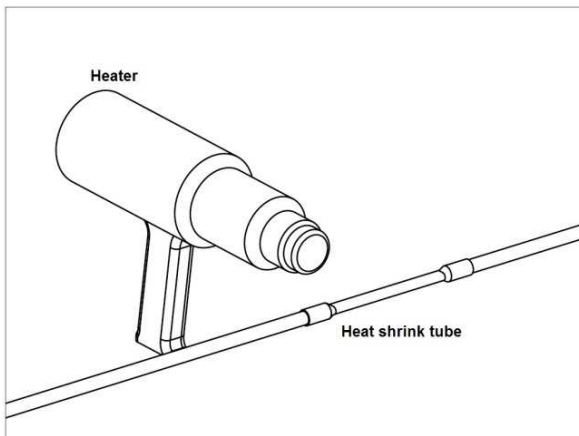
1.



2.

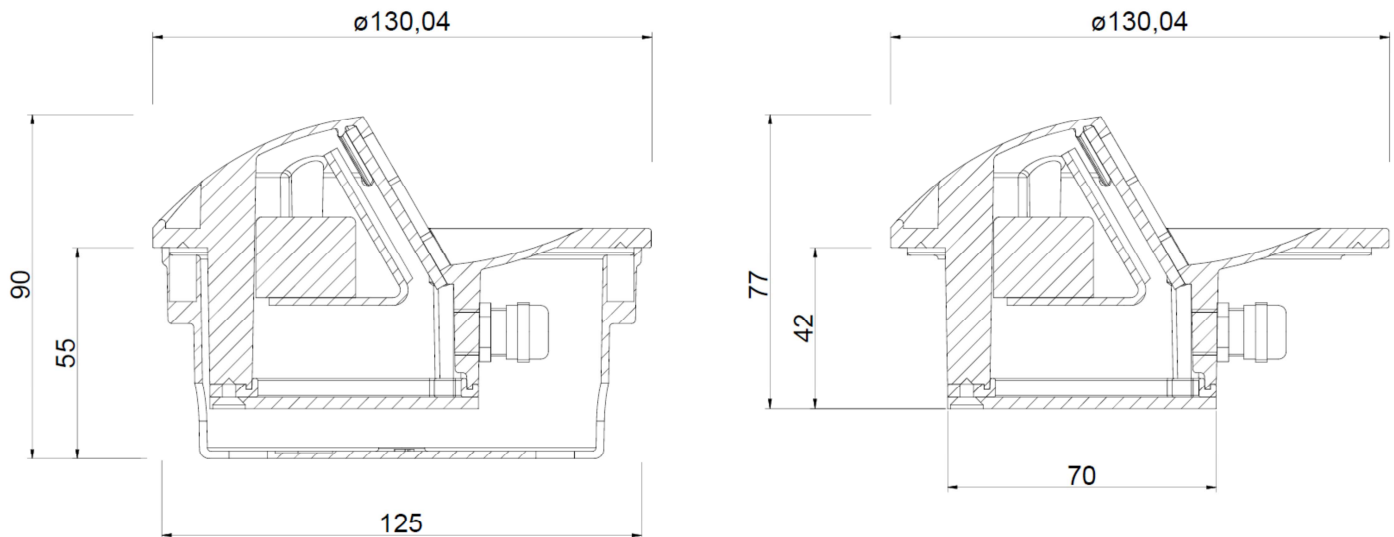


3.





## 5. DIMENSIONS:



## 6. MAINTANANCE:

Clean the front transparent cover at least every 1-2 months. Use a moist, lint-free cloth. Never use alcohol or solvents.



[WWW.SLEPROJECTS.COM](http://WWW.SLEPROJECTS.COM)

© 2014 SLE . All specifications subject to change without notice