



## User manual

version 1.0

### AEDI WALL SQUARE 2x9WHITE TWIN



#### 1. ATTENTION

- **Consider the respective national norms during the installation!**
- Do not install the fixture near high inflammable liquids or materials.
- Do not allow anything to rest on the fixture.
- Do not install the fixture near the naked flames.
- Do not install the fixture in dirty or dusty location.
- Do not looking directly into the LED light beam at close range.
- Turn off the power prior to light fixture installation!
- The light fixture may be installed only by a qualified person!
- The light fixture must be wired according to respective electrical standards.
- The manufacturer shall not be liable for any modifications of the product of incorrect installation of the product.

#### 2. ABOUT THE PRODUCT

The stylishly modern and unassuming exterior of AEDI WALL GLOBUS houses state-of-the-art White technology and made using highest quality materials and construction methods. Bringing the flexibility to outdoor application, this powerful lighting fixture is ideally suited to use in landscape and building illumination and IP65 ensures safe operation.



### 3. TECHNICAL SPECIFICATIONS

ITEM	AEDI WALL SQUARE 2x9WHITE TWIN
<b>Mounting:</b>	Wall mounted
<b>Optical systems:</b>	Spot / Narrow / Medium
<b>LED Device:</b>	OSRAM LEDs
<b>LED color variants:</b>	3000K / 4000K / 5700K
<b>Lumen Output:</b>	Up to 2 x 650lm
<b>Input Voltage:</b>	48 V DC
<b>Power cable connection:</b>	Outdoor Cable 2 x 1,5mm (L=0,5m)
<b>Power Consumption:</b>	Max. 25,2W
<b>Service lifetime:</b>	70,000 hrs. / L70 /@ 25°C
<b>Operating ambient temp.:</b>	-20°C/+40°C
<b>Materials:</b>	Housing: die cast aluminium Cover: clear hardened glass
<b>IP Rating:</b>	IP 65
<b>Dimension:</b>	125 x 141 x 159 mm
<b>Weight:</b>	2,8 kg
<b>Accessories on request:</b>	Power supply 230V AC/ 48 V DC

### 4. INSTALLATION - CONNECTION

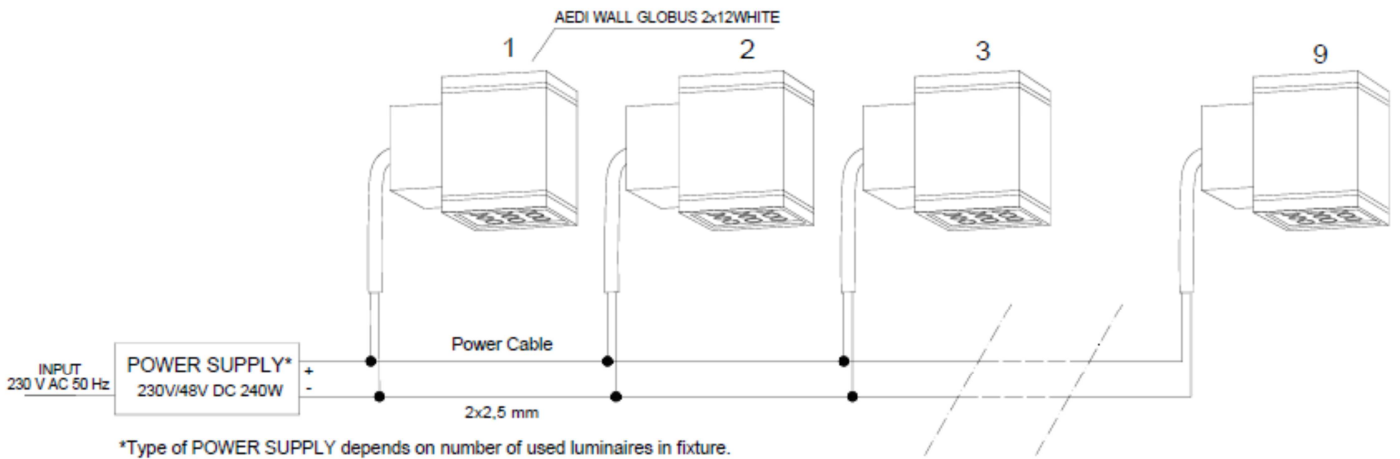
The maximum length of the cable (2 x core 2,5mm) between POWER SUPPLY and the last luminaire cannot exceed more than 80 m.

Below it shows some calculations how are the connections of the power supply:

- a) AEDI WALL GLOBUS 2x6White TWIN - fixtures in one Daisy chain = 9 luminaires= 226,8 Watts ( 16,8Watts x 6pcs)

$$9 \times \text{luminaire} = 226,8 \text{ W} = 1 \times \text{Power supply 230V/48V DC 240W}$$

## Fixture:

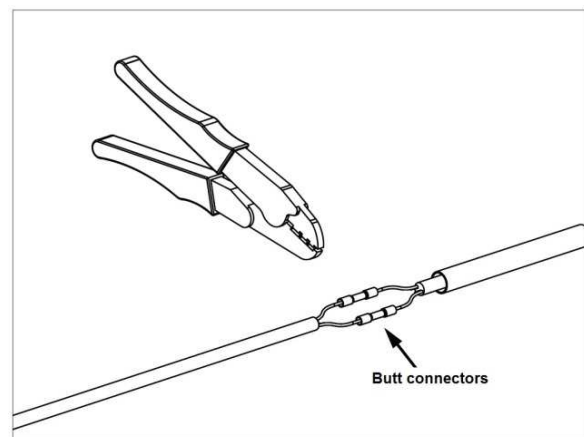


\*Type of POWER SUPPLY depends on number of used luminaires in fixture.  
FIXTURE must be calculated by the designer.

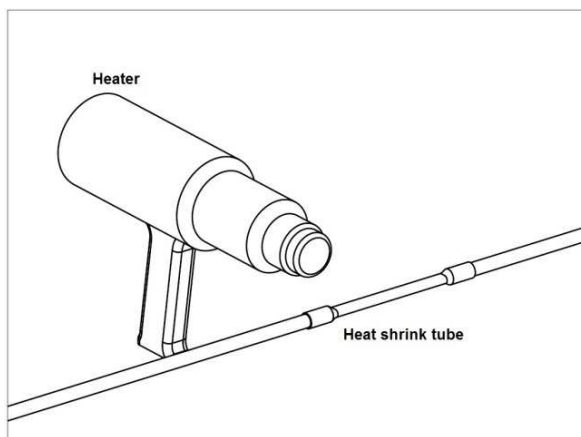
## The joining procedure:

1.

2.

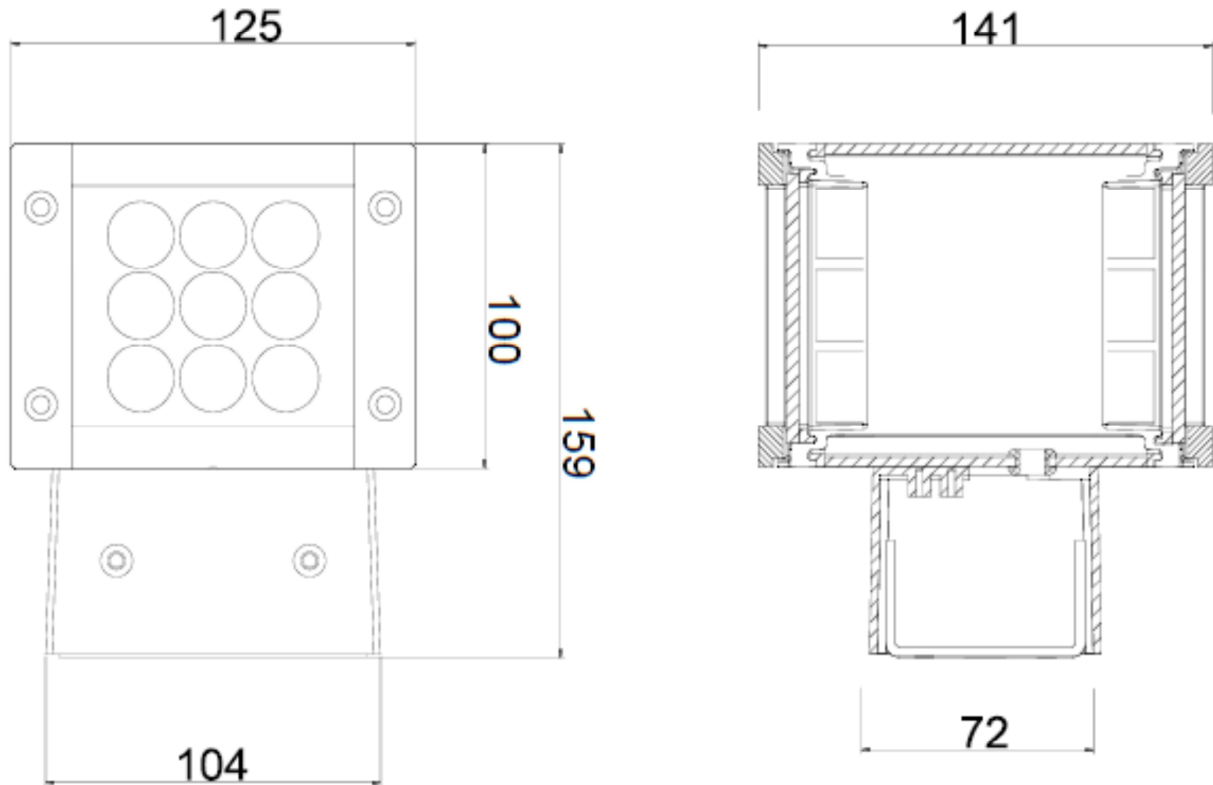


3.





**5. DIMENSIONS:**



**6. MAINTANANCE:**

Clean the front transparent cover at least every 1-2 months. Use a moist, lint-free cloth. Never use alcohol or solvents.



**WWW.SLEPROJECTS.COM**

© 2014 SLE . All specifications subject to change without notice