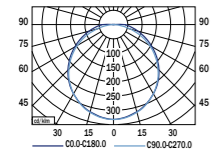
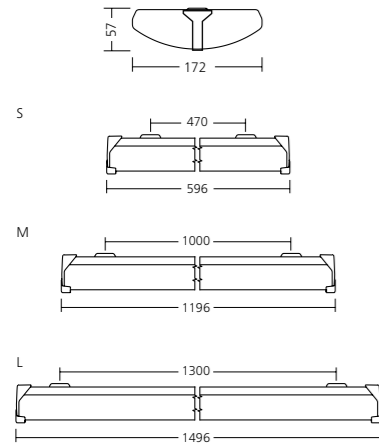


INDUSTRY, OFFICE, EDUCATION

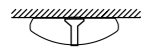
PARTH  
4250 lm 3000 K



DIMENSIONS



MOUNTING



5 years warranty

LED

up to 6400 lm/m

up to 140 lm/W

80 Ra

Mounting	Surfaced mounted
Optical system	Prismatic diffuser + opal foil
Light distribution	Direct
Driver	Electronic control gear - FIX - DALI (dimmable 1-100%)
Materials	Diffuser: PC End caps: white PC + sheet steel Housing: sheet steel
Weight	S: 1.7 kg M: 2.6 kg L: 3.2 kg
Service lifetime	50 000 hours / L80 B10 @ 35 °C
Ambient temperature	- 20 °C / + 35 °C
EEC	A++ / A+ / A

# PARTH

Parth luminaire is a wise choice for areas which require solid illumination with low energy consumption. Whether it is a small office, a huge garage or a dusty warehouse, this revolutionary luminaire is a satisfactory versatile solution.

Type	mounting type	modul	net lumen output (at Ta = 25 °C)	power consumption	color rendering index	correlated color temperature	optic	control	color
			(lm)	(W)	CRI (Ra)	CCT (K)			
<b>PARTH S</b>	SM	LG	2150	19	80	3000	PRISMA	FIX / DALI	WHITE
<b>PARTH S</b>	SM	LG	2250	19	80	4000	PRISMA	FIX / DALI	WHITE
<b>PARTH M</b>	SM	LG	4250	31	80	3000	PRISMA	FIX / DALI	WHITE
<b>PARTH M</b>	SM	LG	4350	31	80	4000	PRISMA	FIX / DALI	WHITE
<b>PARTH L</b>	SM	LG	6200	46	80	3000	PRISMA	FIX / DALI	WHITE
<b>PARTH L</b>	SM	LG	6400	46	80	4000	PRISMA	FIX / DALI	WHITE

Luminous flux tolerance +/- 10%. The Company reserves the right to change any product specifications without prior notification.



order description: PARTH L SM LG 6400 840 PRIS DA WH

STANDARD

