

CADINE

Thermally protected driver

reacts to overheating first by regulating its output and if the overheating lasts, it turns off automatically, so that there is no damage caused to the driver.

Color stability

is provided by a quality chip with **3 SDCM**, which is a guarantee of the same colour over the entire service lifetime.

Quick and effortless installation

is ensured by push-in connectors and integrated strain-relief, which is placed in the closing cover of the driver.

IP 44 cover (On request)

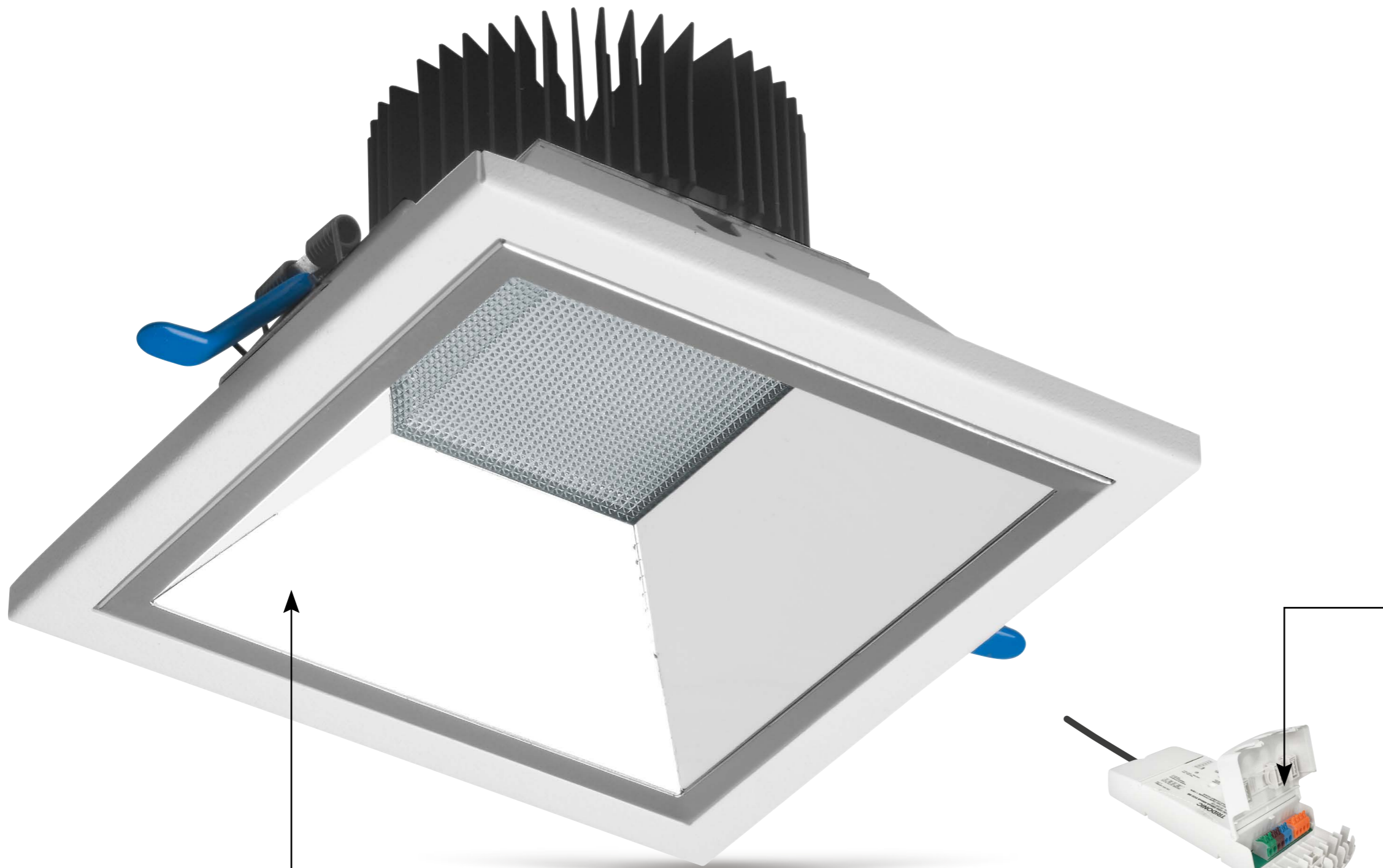
protects the LED and optical system against unnecessary damage caused by dust or contact with the outside environment.

Emergency lighting (On request)

is an in-built safety feature which provides for light supply for **3 hours** in the case of electricity shortage.

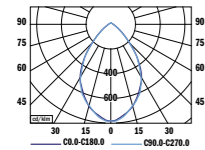
Efficient optical system

results in a combination of prismatic diffuser and a matt reflector so that it provides for both visual comfort and lighting quality.

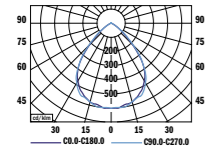


RETAIL, OFFICE

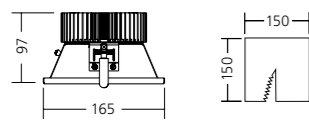
CADINE S
1250 lm 4000 K



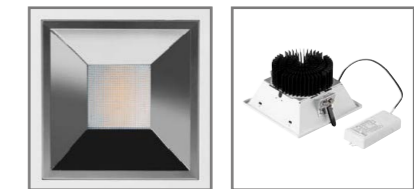
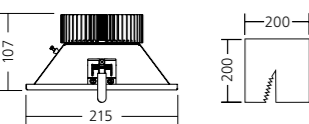
CADINE M
1900 lm 3000 K



CADINE S



CADINE M



- 5 years warranty
- LED
- up to 2950 lm
- up to 118 lm/W
- 80 Ra

Type	mounting type	modul	net lumen output (at Ta = 25 °C)	power consumption	color rendering index	correlated color temperature	optic	control	color
			(lm)	(W)	CRI (Ra)	CCT (K)			
CADINE S	RE	LG	1200	11	80	3000	MR 70°	FIX / DALI	WHITE
CADINE S	RE	LG	1250	11	80	4000	MR 70°	FIX / DALI	WHITE
CADINE S	RE	LG	2000	18	80	3000	MR 70°	FIX / DALI	WHITE
CADINE S	RE	LG	2100	18	80	4000	MR 70°	FIX / DALI	WHITE
CADINE M	RE	LG	2050	19	80	3000	MR 78°	FIX / DALI	WHITE
CADINE M	RE	LG	2150	19	80	4000	MR 78°	FIX / DALI	WHITE
CADINE M	RE	LG	2800	25	80	3000	MR 78°	FIX / DALI	WHITE
CADINE M	RE	LG	2950	25	80	4000	MR 78°	FIX / DALI	WHITE

Luminous flux tolerance +/- 10%. The Company reserves the right to change any product specifications without prior notification.



order description: CADINE M RE LG 2950 840 MR78 FI WH

Mounting	Ceiling recessed
Optical system	Matt reflector + diffuser
Light distribution	Direct
Driver	TRIDONIC with thermal protection - FIX - DALI (dimnable 1-100% / Touch DIM)
Materials	Housing: sheet steel, Trim: sheet steel Reflector: Matt AL reflector Diffuser: PMMA diamond micropisma On request: Cover IP44: transparent PMMA
Surface finish	White (RAL 9003)
Weight	0.9 kg (S), 1.2 kg (M)
Accessories	On request: Recessed concrete ceiling box
Service lifetime	50 000 hours / L90 B10 @ 35 °C (S) 50 000 hours / L85 B10 @ 35 °C (M)
Ambient temperature	up to + 35 °C
EEC	A++ / A+ / A

STANDARD



ON REQUEST



CADINE

This square LED downlight is available with a wide range of lumen packages in two different sizes and integrated emergency (On request). The large emitting surface of the LED light source in combination with micropisma reduces glare and maximises visual comfort.