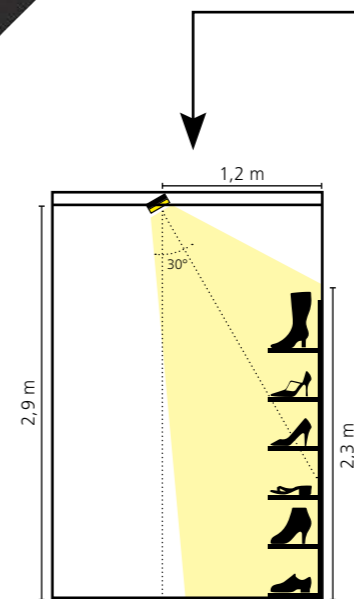


ELYS CS2 FASHION

Cardanic mechanism

is unique for its movable function; according to the need of light distribution, it allows for enhanced illumination of the area from close distance and focus on objects.



Thermally protected driver

reacts to overheating first by regulating its output and if the overheating lasts, it turns off automatically, so that there is no damage caused to the driver.

Outstanding color rendering

CRI 98+ is achieved by the use of Xicato LED engines. Experience an excellent color rendering from R1 - R15 including exceptional high R9 for red tones.

	Ra	R1	R2	R3	R4	R5	R6	R7	R8	R9	R10	R11	R12	R13	R14	R15
Xicato V95 3000 K	98	99	92	97	96	98	96	95	94	90	97	95	97	98	98	98

Efficient optical system

is the result of a new resolution structure which is **94% efficient**; also, there is no need to use any tools in order to replace reflectors as they are secured with a simple spring mechanism.

Forged heatsink design

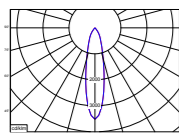
improves its performance by 60% compared to AL die-cast and extrusion technologies; it has also a positive impact on colour stability and LED operation lifetime.

Enhanced color stability

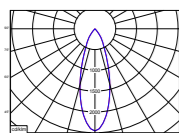
Using **Xicato 1x2 SDCM**, we can guarantee that the colours remain the same for the whole lifetime of the luminaire. The colour stability is covered also by the insurance company **Munich RE** which gives warranty that the modules will never reach more than **3SDCM**.

RETAIL

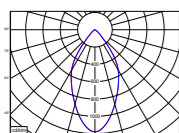
ELYS CS2 23°



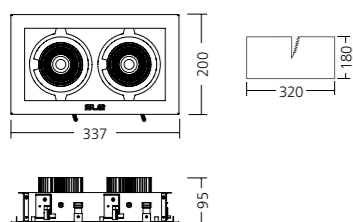
ELYS CS2 34°



ELYS CS2 53°



DIMENSIONS



- 5 years warranty
- LED
- up to 4100 lm
- up to 72 lm/W
- CRI 98 Ra
- 1x2 SDCM



Mounting	Ceiling recessed
Optical system	Facet reflector (FR) toolless exchangeable
Light distribution	Direct
Driver	TRIDONIC with thermal protection - FIX - DALI (dimnable 1-100% / Touch DIM)
Materials	Housing: AL die cast Reflector: facet anodised AL Trim: AL die cast
Surface finish	Housing: white (RAL 9003), black (RAL 9005) On request: grey (RAL 9006)
Weight	2.4 kg
Service lifetime	50 000 hours / L80 B10 @ 35 °C
Ambient temperature	0 °C / + 35 °C
EEC	A++ / A+ / A

ELYS CS2 FASHION

ELYS Cardanic Square 2 is yet another member of successful ELYS series. Its added value resides in the double light source. Whether you wish to floodlight just one product or use it to effectively illuminate larger area, this luminaire will serve your needs.

Type	mounting type	modul	net lumen output (at Ta = 25 °C)	power consumption	color rendering index	correlated color temperature	optic	control	color
			(lm)	(W)	CRI (Ra)	CCT (K)			
ELYS CS2	RE	XICATO	3100 / 2900 / 2700	43	98	3000	FR 23° / 34° / 53°	FIX / DALI	WHITE / BLACK
ELYS CS2	RE	XICATO	4100 / 3800 / 3500	57	98	3000	FR 23° / 34° / 53°	FIX / DALI	WHITE / BLACK

Luminous flux tolerance +/- 10%. The Company reserves the right to change any product specifications without prior notification.

STANDARD



order description: ELYS CS2 RE X 4100 930 FR23 DA BL