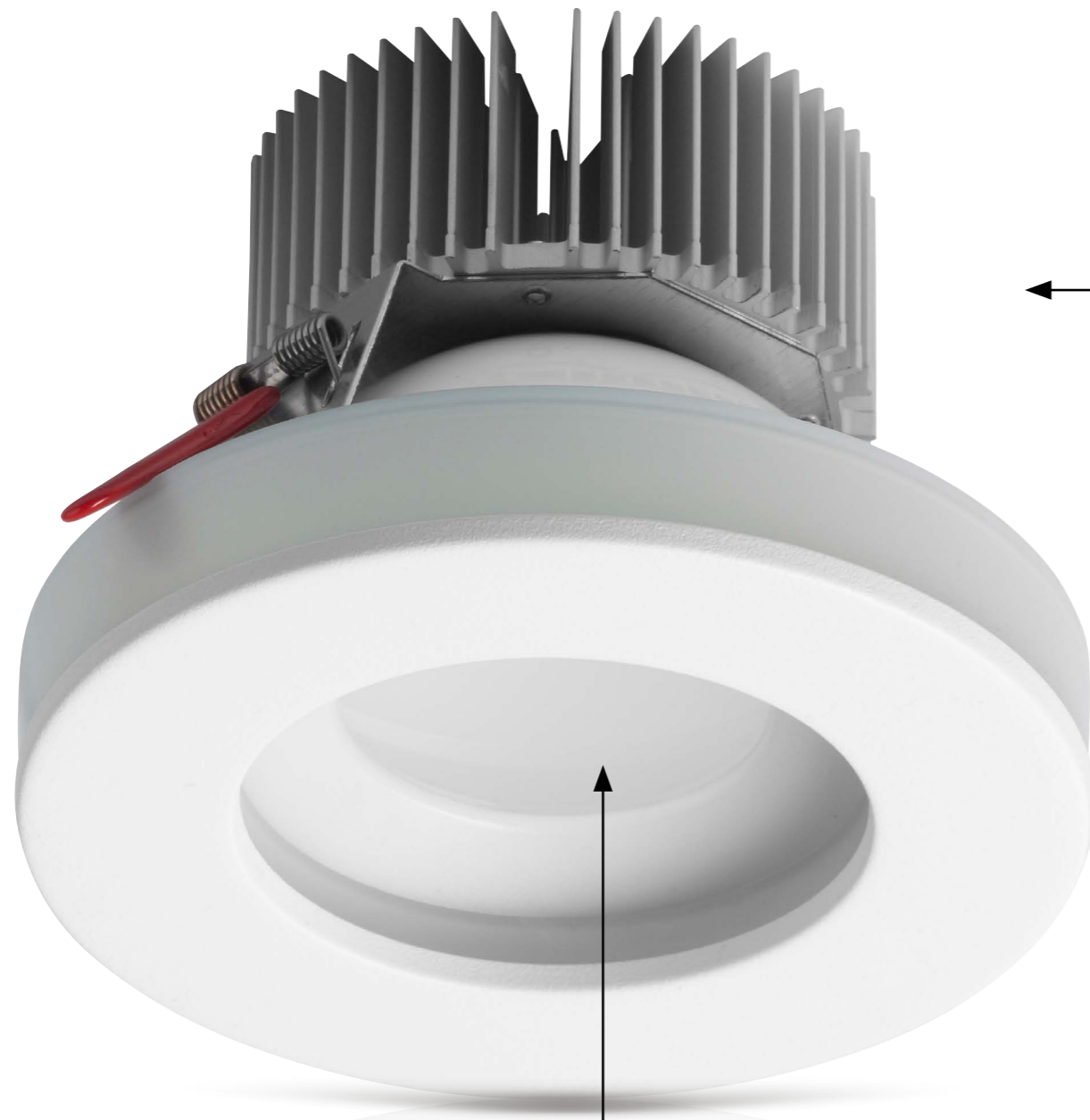


# DIARA AMBIENT



## Forged heatsink design

improves its performance by 60% compared to AL die-cast and extrusion technologies; it has also a positive impact on colour stability and LED operation lifetime.

## Thermally protected driver

reacts to overheating first by regulating its output and if the overheating lasts, it turns off automatically, so that there is no damage caused to the driver.

## PMMA cover / diffuser

diffuses the light and protects the optical system against unnecessary damage caused by dust or contact with the outside environment.

## Excellent colour rendering

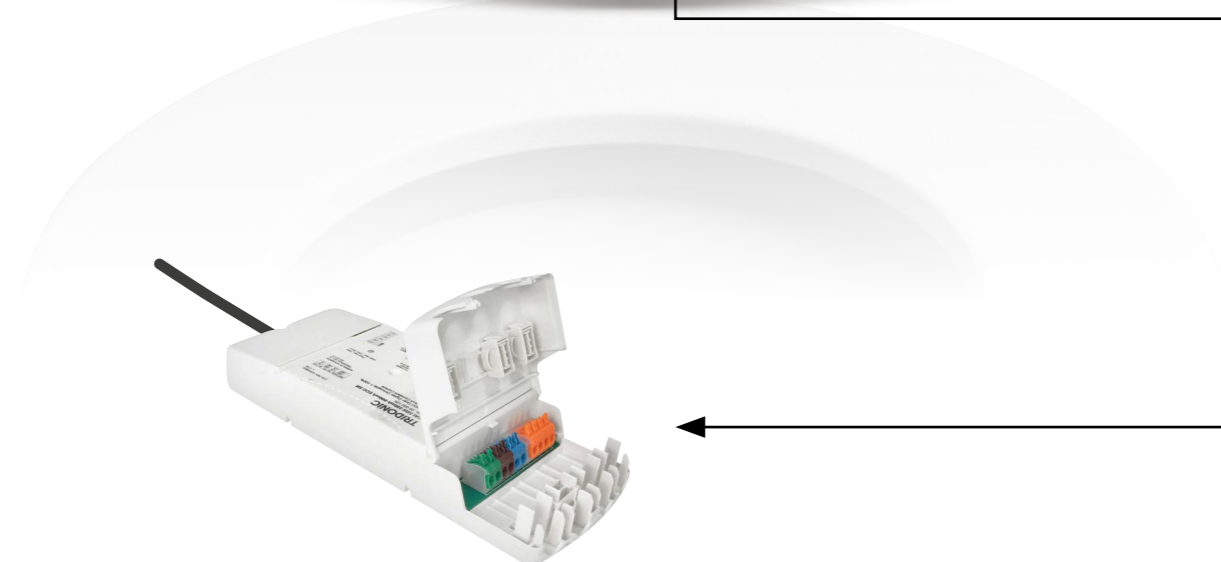
**CRI 90+** is achieved by use of Cree TrueWhite LED engines.

## Colour stability

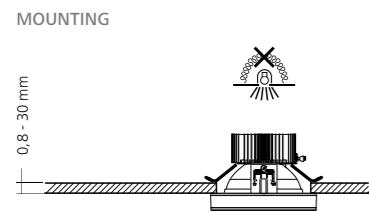
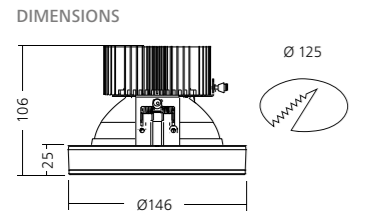
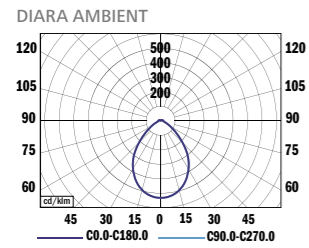
of **3 SDCM** provides good colour stability over the entire service lifetime.

## Quick and effortless installation

is ensured by push-in connectors and integrated strain-relief, which is placed in the closing cover of the driver.



RETAIL, OFFICE



- 5 years warranty
- LED
- up to 750 lm
- up to 53 lm/W
- >90 Ra
- Cree TrueWhite



|                     |  |
|---------------------|--|
| Mounting            | Ceiling recessed   |
| Optical system      | Diffuser   |
| Light distribution  | Direct-indirect  |
| Driver              | Electronic control gear<br>- FIX<br>- DALI (dimnable 1-100% / Touch DIM) |
| Materials           | Housing: sheet steel<br>Diffuser: opal plast<br>Trim: sheet steel        |
| Surface finish      | White (RAL 9003)   |
| Weight              | 0.8 kg   |
| Service lifetime    | 50 000 hours / L90 B10 @ 35 °C   |
| Ambient temperature | Up to + 35 °C  |
| EEC                 | A++ / A+ / A   |

# DIARA AMBIENT

Providing the same flawless illumination as its recessed counterpart, this LED downlight additionally provides a pleasant decorative effect by means of the diffuser strip around its circumference. Ideal for areas requiring a bit of finesse.

| Type     | mounting type | modul | net lumen output (at Ta = 25 °C) | power consumption | color rendering index | correlated color temperature | optic | control    | color |
|----------|---------------|-------|----------------------------------|-------------------|-----------------------|------------------------------|-------|------------|-------|
|          |               |       | (lm)                             | (W)               | CRI (Ra)              | CCT (K)                      |       |            |       |
| DIARA AM | RE            | CREE  | 750                              | 14                | 90                    | 3000                         | OPAL  | FIX / DALI | WHITE |
| DIARA AM | RE            | CREE  | 750                              | 14                | 90                    | 4000                         | OPAL  | FIX / DALI | WHITE |

Luminous flux tolerance +/- 10%. The Company reserves the right to change any product specifications without prior notification.



order description: DIARA AM RE C 750 940 OPAL DA WH