

POWERFUL LUMINAIRE FOR PETROL STATIONS

Motion sensor (On request)

has positive effect on energy consumption, improves environment, and increases lifetime of light sources.

Design

of the product matches the design of the product family and complements the use of street lighting luminaire DOROS in the space of petrol stations.

Easy and quick installation

is provided by the special anchoring mechanism.

Customisable installation plate

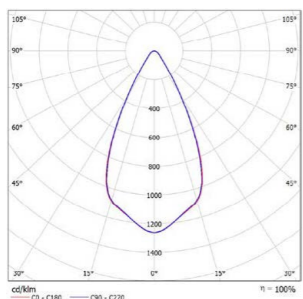
comes in dimensions which are compatible with the installation openings in the majority of petrol stations, however, the dimensions can be adjusted if necessary.

Cover glass

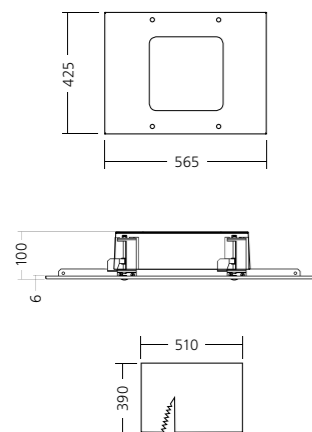
protects the LED and optical system against unnecessary damage caused by contact with the outside environment.



INDUSTRY



DIMENSIONS



- 5 years warranty
- LED
- up to 10440 lm
- up to 135 lm/W
- 70+ / 80+ Ra

Mounting	Ceiling recessed
Optical system	Lenses: LS49
Light distribution	Direct
Driver	Electronic control gear - FIX - DALI (1-100%)
Materials	Housing: die cast aluminium Reflector: polycarbonate - evaporative coating Cover: clear hardened glass Frame: sheet steel
Surface finish	White (RAL 9003)
Accessories	Safety wires
Service lifetime	50 000 hours / L90 B10 @ 25°C 60 000 hours / L80 B10 @ 45°C
Ambient temperature	- 40 °C / + 45 °C (54, 62 W) - 40 °C / + 40 °C (85 W) - 40 °C / + 35 °C (98 W)
EEC	A++

DOROS PS

A massive powerful recessed luminaire for wide range of outdoor applications, including petrol stations. High IP / IK rating and good range of operating ambient temperature promise reliable functionality in extreme conditions.

Type	mounting type	modul	net lumen output (at Ta = 25 °C)	power consumption	color rendering index	correlated color temperature	optic	control	color
			(lm)	(W)	CRI (Ra)	CCT (K)			
DOROS PS	RE	NICHIA	7300	54	70	4000	LS49	FIX / DALI	WHITE
DOROS PS	RE	NICHIA	7350	62	80	4000	LS49	FIX / DALI	WHITE
DOROS PS	RE	NICHIA	10500	85	70	4000	LS49	FIX / DALI	WHITE
DOROS PS	RE	NICHIA	10440	98	80	4000	LS49	FIX / DALI	WHITE

Luminous flux tolerance +/- 10%. The Company reserves the right to change any product specifications without prior notification.



order description: DOROS PS RE N 10440 840 LS49 DA WH