

EDYN SU



Ceiling brightening

is achieved by an direct - indirect ratio of 80 / 20.

Color stability

is provided by the latest **LG 3 SDCM LEDs**. The Edyn range belongs to the same LED technology family as Benen, Cadine and Hila, which means that the risk of an additional color shift due to the use of different products in the space can be significantly reduced.

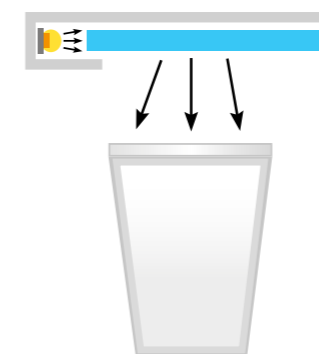
Quick and effortless installation

is ensured with the build-in LED driver and results to a clean ceiling architecture.



High quality

due to inside welded corners guarantee no light exits.



Super slim design

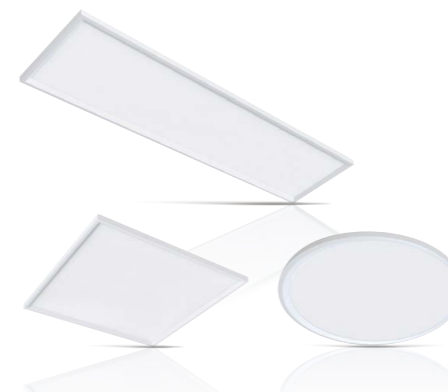
is achieved by the use of edge light technology. The frame has an impressive width of **22 mm**.

High efficiency

of up to **132 lm/W** makes Edyn SU to an energy saving solution for office buildings.

Excellent UGR < 19

complies with the EU norms **EN 12464-1** for indoor workplace areas. It is provided by the flat light-emitting surface of the prismatic diffuser.

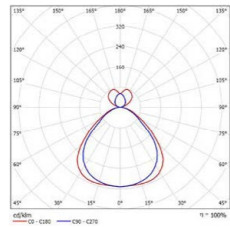


Customisable nature

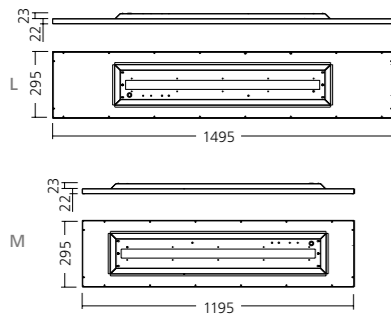
allows the architects to choose from a recessed, surfaced or suspended version in a square, round, or rectangular shape.

OFFICE & EDUCATION

EDYN SU



DIMENSIONS



MOUNTING



- 5 years warranty
- LED
- up to 7000 lm
- up to 132 lm/W
- 80 Ra
- UGR < 19

Type	mounting type	modul	net lumen output (at Ta = 25 °C)	power consumption	color rendering index	correlated color temperature	optic	control	color	
			(lm)	(W)	CRI (Ra)	CCT (K)				
EDYN M	SU	LG	4100	32	80	3000	PRISMA	FIX / DALI	WHITE / BLACK / GREY	
EDYN M	SU	LG	4200	32	80	4000	PRISMA	FIX / DALI	WHITE / BLACK / GREY	
EDYN M	SU	LG	5150	40	80	3000	PRISMA	FIX / DALI	WHITE / BLACK / GREY	
EDYN M	SU	LG	5300	40	80	4000	PRISMA	FIX / DALI	WHITE / BLACK / GREY	
EDYN M	SU	LG	6800	54	80	3000	PRISMA	FIX / DALI	WHITE / BLACK / GREY	
EDYN M	SU	LG	7000	54	80	4000	PRISMA	FIX / DALI	WHITE / BLACK / GREY	
EDYN L	PRELIMINARY	SU	LG	4100	32	80	3000	PRISMA	FIX / DALI	WHITE / BLACK / GREY
EDYN L	PRELIMINARY	SU	LG	4200	32	80	4000	PRISMA	FIX / DALI	WHITE / BLACK / GREY
EDYN L	PRELIMINARY	SU	LG	5150	40	80	3000	PRISMA	FIX / DALI	WHITE / BLACK / GREY
EDYN L	PRELIMINARY	SU	LG	5300	40	80	4000	PRISMA	FIX / DALI	WHITE / BLACK / GREY
EDYN L	PRELIMINARY	SU	LG	6800	54	80	3000	PRISMA	FIX / DALI	WHITE / BLACK / GREY
EDYN L	PRELIMINARY	SU	LG	7000	54	80	4000	PRISMA	FIX / DALI	WHITE / BLACK / GREY

Luminous flux tolerance +/- 10%. The Company reserves the right to change any product specifications without prior notification.

Mounting	Suspended
Optical system	Microprismatic Diffuser
Light distribution	Direct-indirect
Driver	Electronic control gear - FIX - DALI (dimnable 1-100% / Touch DIM)
Materials	Housing: AL profiles, sheet steel Diffuser: PMMA
Surface finish	Housing: white (RAL 9003), black (RAL 9005), grey (RAL 9006)
Accessories	Included rope suspension 38 (see accessories)
Weight	7.4 kg (M), 9.4 kg (L)
Service lifetime	54W: 50 000 hours / L80 B10 @ 35°C 40W: 50 000 hours / L90 B20 @ 25°C 50 000 hours / L80 B10 @ 35°C 32W: 50 000 hours / L90 B20 @ 35°C
Ambient temperature	-25°C to +35°C
EEC	A++

STANDARD



EDYN SU

Suspended luminaire with both direct and indirect illumination creates visually pleasing and stimulative working atmosphere, complies with EU regulations, and its minimalistic design makes it a perfect fit with any space.

order description: EDYN L SU LG 7000 840 PRIS DA WH