

Opening mechanism

Opening mechanism allows for a quick and hassle-free maintenance of the luminaire without the need to use any tools.

Optical System

Consists of powerful Nichia LED's and lenses with one of 6 different distribution curves to suit any street project.

Overheat protection

The temperature of the LED module and operating electronics is permanently monitored to secure their long lifetime.

Toollessly replaceable driver

The driver can be changed quickly and effectively, without the need of any tools.

Hardened glass cover

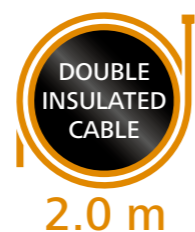
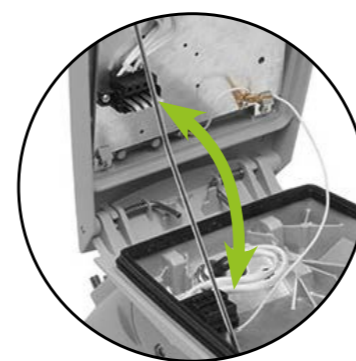
The cover protects the LED and optical system against mechanical damage and dust.

Automatic disconnection from the power network

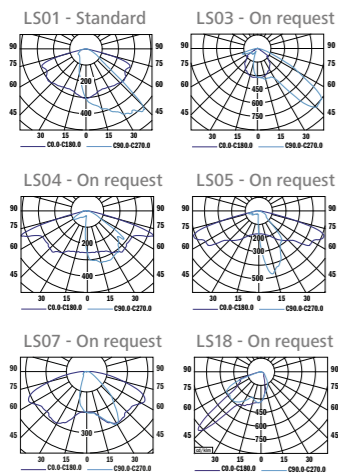
Once you open the cover of the luminaire, it will automatically disconnect from the power network, i.e. you do not have to switch off the whole line from the distribution box.

Toollessly replaceable gasket

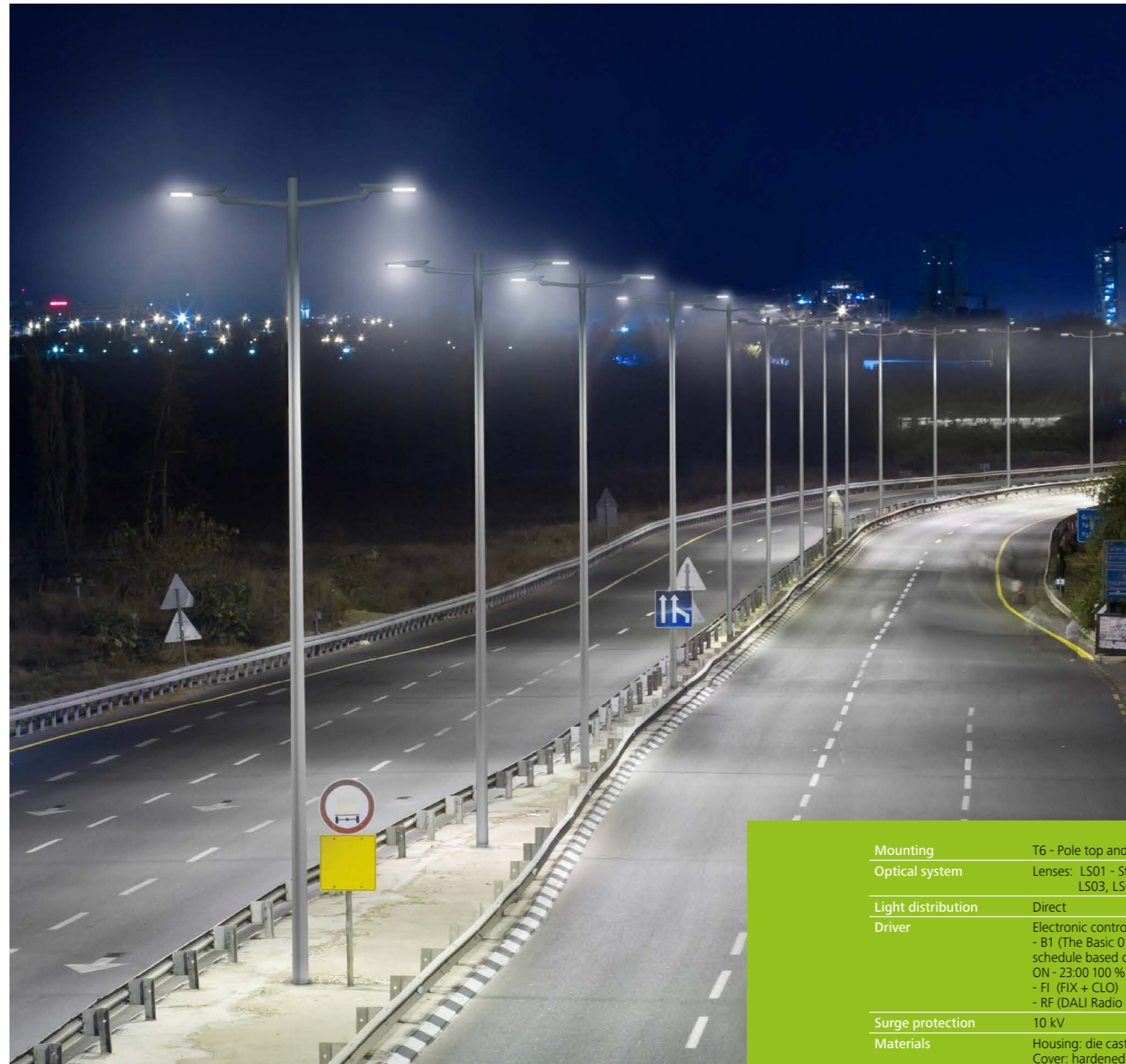
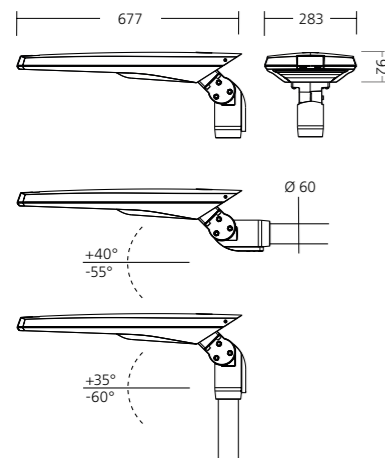
provides long term IP protection and prevents from aging of the rubber.



STREET



DIMENSIONS



- 5 years warranty
- LED
- up to 12200 lm
- up to 137 lm/W
- CRI 70+ Ra
- Overheat protection

Mounting	T6 - Pole top and side entry installation Ø 60 mm
Optical system	Lenses: LS01 - Standard LS03, LS04, LS05, LS07, LS18 - On request
Light distribution	Direct
Driver	Electronic control gear with constant lumen output - B1 (The Basic 01 function executes the dimming schedule based on a virtual clock) ON - 23:00 100 % / 23:00 - 4:00 50 % / 4:00 - OFF 100 % - FI (FIX + CLO) - RF (DALI Radio controlled + CLO)
Surge protection	10 kV
Materials	Housing: die cast AL Cover: hardened transparent glass Frame: sheet steel Tilttable spigot: die cast AL
Surface finish	Housing: grey RAL 9006
Accessories	On request: IP connector
Weight	9.4 - 10.4 kg
Service lifetime	100 000 hours / L90 B10 @ 35°C (33W - 52W) 100 000 hours / L80 B10 @ 35°C (65W - 92W) 100 000 hours / L70 B10 @ 35°C (106W - 110W)
Ambient temperature	- 40 °C / + 40 °C
EEC	A++ / A+

Type	mounting type	modul	net lumen output (at Ta = 25 °C)	power consumption	color rendering index	correlated color temperature	optic	control	color
			(lm)	(W)	CRI (Ra)	CCT (K)			
DAMYA M	T6	NICHIA	4400	33-37 / 37-41	70	4000	LS01 / LS03 / LS04 / LS05 / LS07 / LS18	B1 / FI / RF	GREY
DAMYA M	T6	NICHIA	5500	40-45 / 44-49	70	4000	LS01 / LS03 / LS04 / LS05 / LS07 / LS18	B1 / FI / RF	GREY
DAMYA M	T6	NICHIA	6600	48-53 / 52-57	70	4000	LS01 / LS03 / LS04 / LS05 / LS07 / LS18	B1 / FI / RF	GREY
DAMYA M	T6	NICHIA	8550	65-75 / 69-79	70	4000	LS01 / LS03 / LS04 / LS05 / LS07 / LS18	B1 / FI / RF	GREY
DAMYA M	T6	NICHIA	10750	88-105 / 92-109	70	4000	LS01 / LS03 / LS04 / LS05 / LS07 / LS18	B1 / FI / RF	GREY
DAMYA M	T6	NICHIA	12200	106-137 / 110-141	70	4000	LS01 / LS03 / LS04 / LS05 / LS07 / LS18	B1 / FI / RF	GREY

Luminous flux tolerance +/- 10%. The Company reserves the right to change any product specifications without prior notification.



DAMYA M

As LED street luminaire DAMYA M matches international road geometries, it is suitable for highways, urban main roads. The lumen package, lifetime and energy profile can be adjusted to meet the needs of specific solutions. The fixture includes an opening mechanism which simplifies maintenance; it allows for a quick replacement of malfunctioning or failed components like driver or LED module.

order description: DAMYA M T6 N 12200 740 LS01 B1 GR