

POWERFUL LIGHTING FOR INDUSTRY & WAREHOUSE



UV stable hardened glass

protects the LED and optical system against unnecessary damage caused by dust or contact with the outside environment. The glass can be easily maintained, it is resistant against chemicals and does not change the light properties through the entire lifetime of the LED.



Optional sensor integration

can be used for movement detection and harvesting of available daylight.



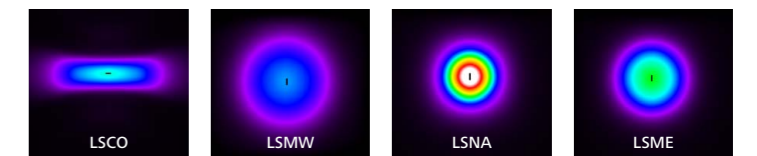
Optional
emergency
integration

Quick installation and service:

- possibility to move the luminaire to any position within the rail system
- toolless exchangeable LED modules
- driver replaceable from outside

Flexibility in lighting design

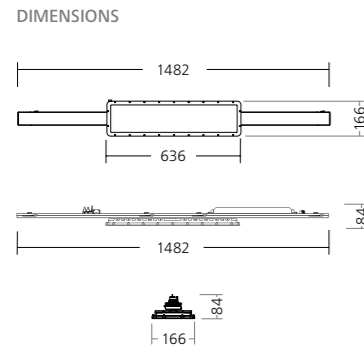
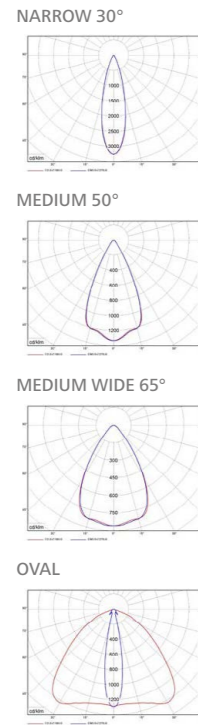
is achieved by different lighting distributions suitable for both industry and retail applications.



Wide ambient temperature range

through the use of high-power LEDs instead of temperature sensitive mid-power LEDs.

INDUSTRY



- 8 years warranty
- LED
- up to 12950 lm
- up to 143 lm/W
- 70/80 Ra
- 3 SDCM



Mounting	Profile mounting (PM)
Optical system	Lenses: LSNA (NARROW 30°) LSME (MEDIUM 50°) LSMW (MEDIUM WIDE 65°) LSCO (OVAL)
Light distribution	Direct
Driver	Electronic control gear - FIX - DALI (dimmable 1-100%)
Materials	Housing: die cast AL Lenses: PMMA Cover: clear hardened glass
Surface finish	White (RAL 9003)
Weight	7.5 kg
Service lifetime	100 000 hours / L90 B10 @ 25°C 50 000 hours / L90 B20 @ 55°C
Ambient temperature	- 40 °C / + 55 °C
EEC	A++

GHADA-L

A definitive LED industrial luminaire with impressive parameters that can resist tough weather conditions. With its lifetime of up to 100,000 hours, reliable operability at high temperatures, a wide range of lumen outputs, excellent efficacies, and high IP and IK ratings, you will soon see the real value of this powerful luminaire.

Type	mounting type	modul	net lumen output (at Ta = 25 °C)	power consumption	color rendering index	correlated color temperature	optic	control	color
			(lm)	(W)	CRI (Ra)	CCT (K)			
GHADA-L	PM	NICHIA	12950 / 12900	90	70	4000	30°/ 50°/ 65°/ OVAL	FIX / DALI	WHITE
GHADA-L	PM	NICHIA	12950 / 12900	90	70	5000	30°/ 50°/ 65°/ OVAL	FIX / DALI	WHITE
GHADA-L	PM	NICHIA	12450 / 12400	102	80	4000	30°/ 50°/ 65°/ OVAL	FIX / DALI	WHITE
GHADA-L	PM	NICHIA	12450 / 12400	102	80	5000	30°/ 50°/ 65°/ OVAL	FIX / DALI	WHITE

Luminous flux tolerance +/- 10%. The Company reserves the right to change any product specifications without prior notification.



order description: GHADA-L-PM-N-12450-850-50-DA-WH