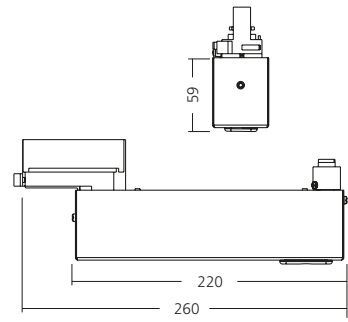
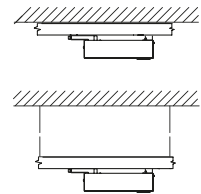


RETAIL

DIMENSIONS



MOUNTING



5 years warranty
LED
duration 3h



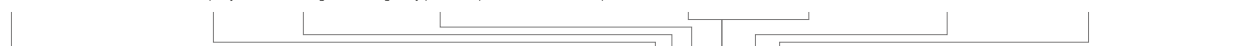
Mounting	Suspended or ceiling surfaced lighting track system - suitable for GLOBAL Trac
Optical system	Lenze
Light distribution	Direct
Driver	Battery: NI-CD 2V/Ah, 3 hours - protection of battery against overload and discharge, Autotest
Materials	Housing: sheet steel
Surface finish	White (RAL 9003), Black (RAL 9005), Grey (RAL 9006)
Accessories	Various types of connections and suspension equipment (GLOBAL Trac)
Weight	0.9 kg
Service lifetime	50 000 hours / L80 B20 @ 35 °C
Ambient temperature	0 °C / + 35 °C
EEC	A++ / A+ / A

EM3H

EM3H luminaire is designed to provide emergency lighting in track systems (e.g. GLOBAL Track). The 3H unit can deliver three hours of illumination during emergency situations and power failures to ensure safe and comfortable evacuation and securing of affected areas

Type	mounting type	modul	net lumen output (at Ta = 25 °C)	power consumption	color rendering index	correlated color temperature	optic	control	color
			(lm)	(W)	CRI (Ra)	CCT (K)			
EM3H	TR	TRIDONIC	92	1	70	6500	LS 30°	FIX	WHITE / BLACK / GREY
EM3H	TR	TRIDONIC	93	1	70	6500	LS 133°	FIX	WHITE / BLACK / GREY

Luminous flux tolerance +/- 10%. The Company reserves the right to change any product specifications without prior notification.



order description: EM3H TR T 093 765 LS13 FI WH

STANDARD

