



COMPACT LUMINAIRE FOR CAR PARKS

Optical System

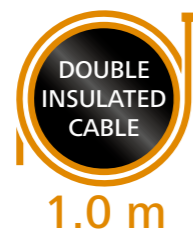
It consists of powerful Nichia LED's and lenses with one of 4 different distribution curves to suit any street project.

Hardened glass cover

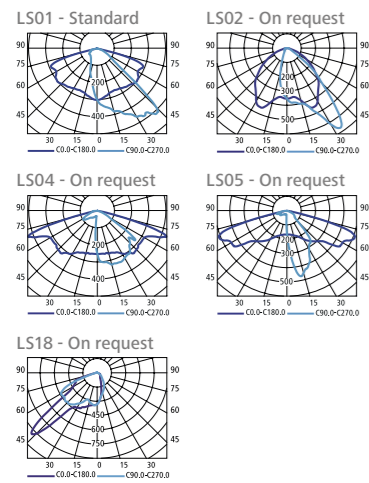
The cover protects the LED and optical system against mechanical damage and dust.

Compact look

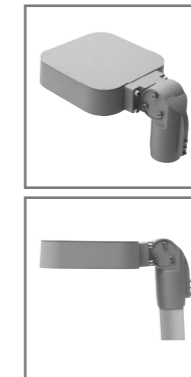
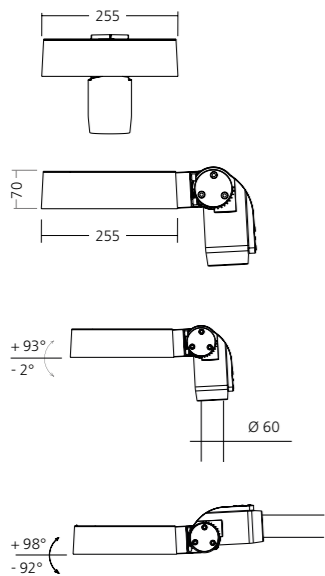
Minimalistic design combined with ideal dimensions make this luminaire the first and best choice for any outside car park.



STREET



DIMENSIONS



- 5 years warranty
- LED
- up to 10 350 lm
- up to 118 lm/W
- CRI 70+ Ra

Mounting	T6 - Pole top and side entry installation Ø 60 mm
Optical system	Lenses: LS01 - Standard LS04, LS05, LS12 - On request
Light distribution	Direct
Driver	Electronic control gear with constant lumen output - FIX - DALI (dimnable 1-100%) - B1 (The Basic 01 function executes the dimming schedule based on a virtual clock) ON - 23:00 100 % 23:00 - 4:00 50 % 4:00 - OFF 100 %
Materials	Housing: die cast AL Cover: hardened transparent glass Frame: sheet steel Tilttable spigot: die cast AL
Surface finish	Housing: grey RAL 9006
Weight	7.6 - 8.2 kg
Service lifetime	100 000 hours / L80 B10 @ 35 °C
Ambient temperature	- 40 °C / + 40 °C (26-83 W) - 40 °C / + 35 °C (94-111 W)
EEC	A++ / A+ / A

DOROS

A highly flexible residential and urban luminaire that uses LED lens optics with a variety of distributions. Controllable, efficient, reliable and with a simple and timeless aesthetic, this luminaire sets future trends for public lighting.

Type	mounting type	modul	net lumen output (at Ta = 25 °C)	power consumption	color rendering index	correlated color temperature	optic	control	color
			(lm)	(W)	CRI (Ra)	CCT (K)			
DOROS	T6	NICHIA	2950	26-31	70	4000	LS01 / LS02 / LS04 / LS05 / LS18	FIX / DALI / B1	GREY
DOROS	T6	NICHIA	3900	34-40	70	4000	LS01 / LS02 / LS04 / LS05 / LS18	FIX / DALI / B1	GREY
DOROS	T6	NICHIA	4850	41-48	70	4000	LS01 / LS02 / LS04 / LS05 / LS18	FIX / DALI / B1	GREY
DOROS	T6	NICHIA	5800	49-57	70	4000	LS01 / LS02 / LS04 / LS05 / LS18	FIX / DALI / B1	GREY
DOROS	T6	NICHIA	6750	57-67	70	4000	LS01 / LS02 / LS04 / LS05 / LS18	FIX / DALI / B1	GREY
DOROS	T6	NICHIA	8400	71-83	70	4000	LS01 / LS02 / LS04 / LS05 / LS18	FIX / DALI / B1	GREY
DOROS	T6	NICHIA	10350	94-111	70	4000	LS01 / LS02 / LS04 / LS05 / LS18	FIX / DALI / B1	GREY

Luminous flux tolerance +/- 10%. The Company reserves the right to change any product specifications without prior notification.



order description: DOROS T6 N 8400 740 LS01 DA GR